

LAW OFFICES
MASON & GRAHAM
PATENT AND TRADE-MARK CAUSES
811 WEST SEVENTH STREET
LOS ANGELES 17
May 7, 1958

Mr. Jesse B. Alexander
707 West Baker Avenue
Fullerton, California

**Re: Patent Application on DUAL ENGINE
YOKE, Serial No. 593,194**

Dear Mr. Alexander:

We enclose the original United States Letters Patent No. 2,832,201 which issued to you April 29, 1958 upon the above-identified application for patent.

This patent is good for a term of seventeen years, and any device manufactured and sold hereunder should be marked "Pat. No. 2,832,201".

We also return print of your drawings DS-50001 and DS-50002 as well as brochure of Peacock Aircraft Company.

Very truly yours,

Mason & Graham
MASON & GRAHAM

OB
Encls.

April 29, 1958

J. B. ALEXANDER

2,832,201

DUAL ENGINE YOKE

Filed June 22, 1956

FIG. 1.

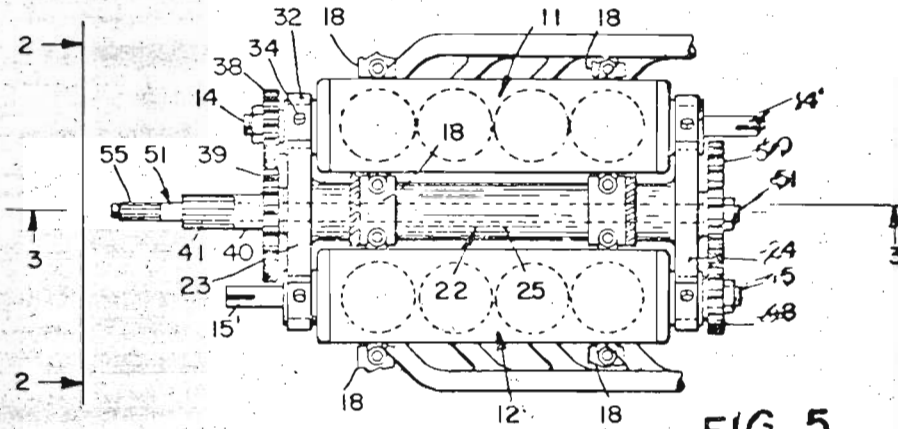


FIG. 5.

FIG. 2.

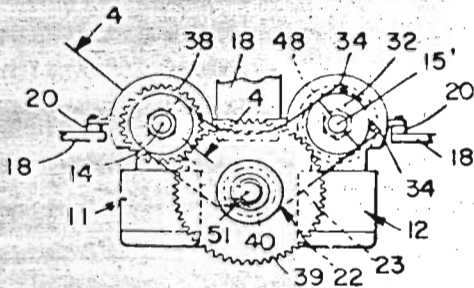


FIG. 4.

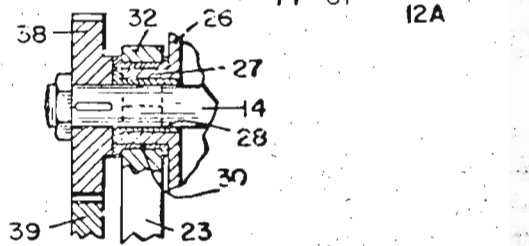
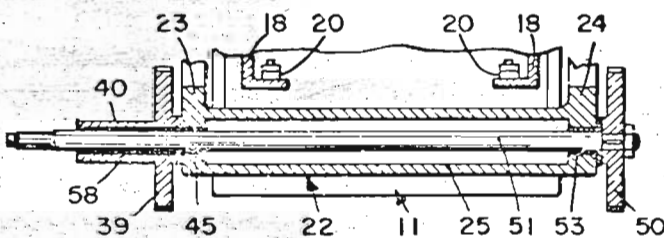


FIG. 3.



INVENTOR
JESSE B. ALEXANDER

BY
Mason & Graham

ATTORNEYS